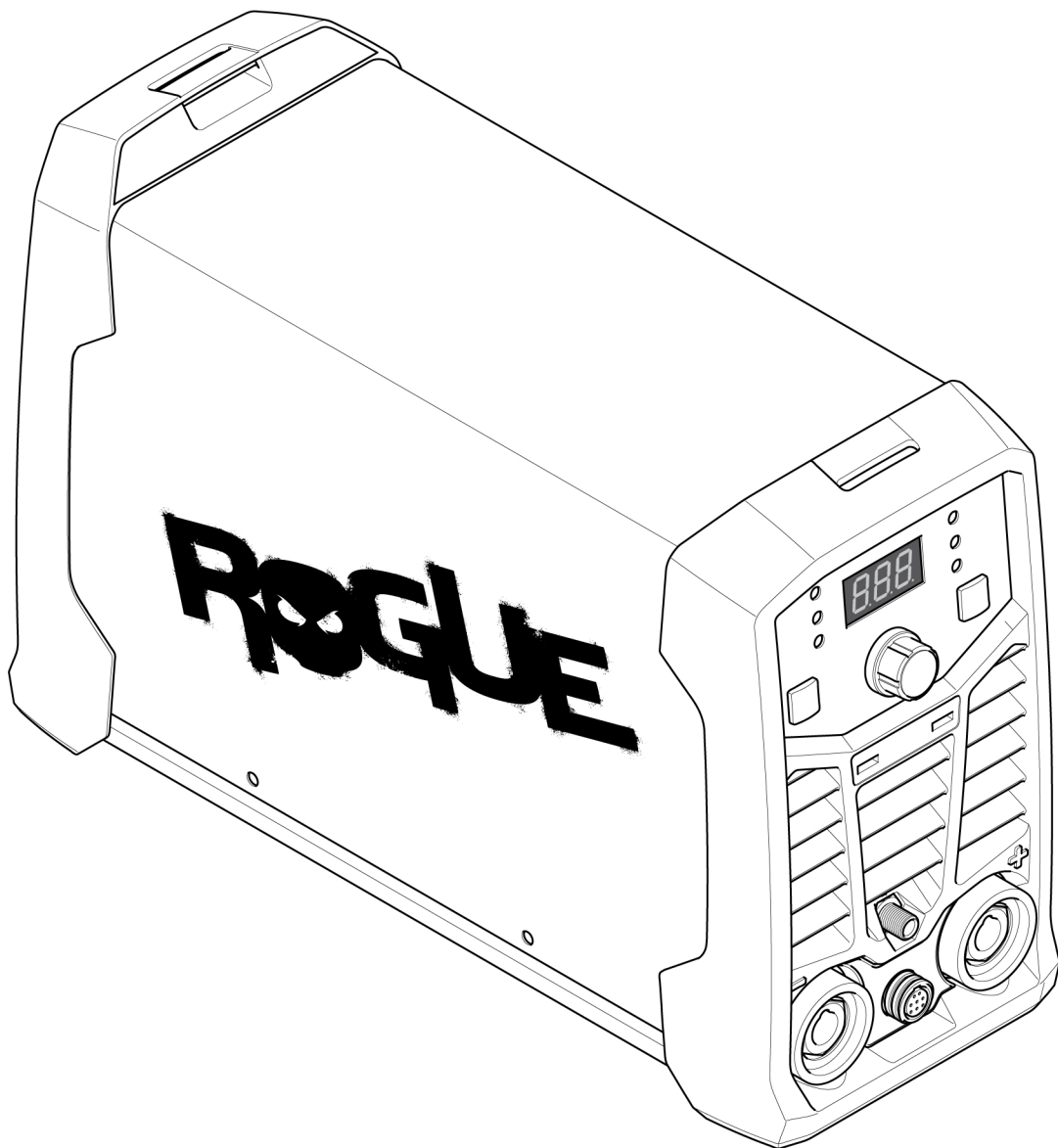


ET 180i, ET 200iP, ET 200iP PRO



Spare parts list

| Ordering no. | Product | Notes | Serial no. |
|---------------------|--------------------|-----------------------------|-------------------|
| 0700 500 080 | Rogue ET 180i | Europe, CE | HA026-xxxx-xxxx |
| 0700 500 075 | Rogue ET 200iP | India | HA027-xxxx-xxxx |
| 0700 500 081 | Rogue ET 200iP Pro | Europe, CE | HA027-xxxx-xxxx |
| 0700 500 083 | Rogue ET 200iP Pro | Middle East and Africa, MEA | HA027-xxxx-xxxx |
| 0700 500 093 | Rogue ET 200iP Pro | Southeast Asia, SEA | HA027-xxxx-xxxx |

Spare parts may be ordered through your nearest ESAB dealer, see esab.com. When ordering, please state product type, serial number, denominations and ordering numbers according to the spare parts list. This facilitates dispatch and ensures correct delivery.

Maintenance and repair work should be performed by an experienced person, and electrical work only by a trained electrician. Use only recommended spare parts.

1 SPARE PARTS 4

1 SPARE PARTS

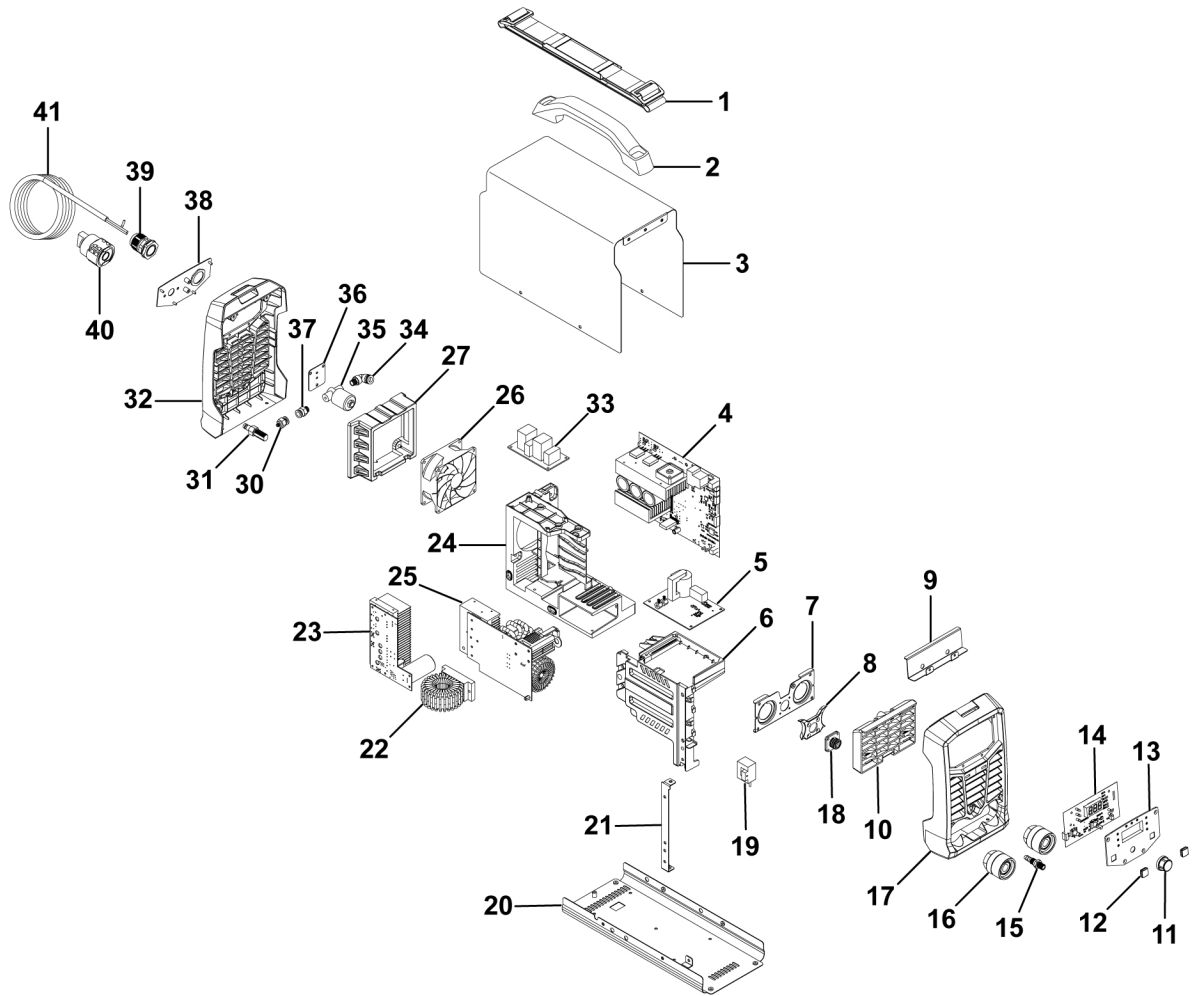
| Item | Qty | Ordering no. | Denomination | Model and region | Notes |
|------|-----|--------------|--------------------------------------|-------------------------------|----------------------|
| 1 | 1 | 0464 670 003 | Belt | | |
| 2 | 1 | 0464 670 007 | Handle | | |
| 3 | 1 | 0464 676 007 | Case | | |
| 4 | 1 | 0464 676 004 | IGBT inverter board and main PCB | ET 180i EU, ET 200iP India | |
| | | 0464 676 030 | | ET 200iP PRO EU, MEA | |
| 5 | 1 | | High frequency board | | Included in item 102 |
| 6 | 1 | | Arcing plate holder | | Included in item 102 |
| 7 | 1 | 0464 670 010 | Output retaining plate | | |
| 8 | 1 | | Sleeve socket plate with sticker | | Included in item 104 |
| 9 | 1 | | Front shield plate | | Included in item 101 |
| 10 | 1 | 0464 670 011 | Louver | | |
| 11 | 1 | | Potentiometer knob | | Included in item 101 |
| 12 | 2 | | Key rubber sleeve | | Included in item 101 |
| 13 | 1 | | Front mounting plate with labels | | Included in item 101 |
| 14 | 1 | | Digital display board | | Included in item 101 |
| 15 | 1 | 0464 671 006 | Argon gas connection | | |
| 16 | 2 | 0464 671 004 | Quick connector | | |
| 17 | 1 | 0464 674 004 | Front plastic panel | | |
| 18 | 1 | | Sleeve socket 8 pole with harness | | Included in item 104 |
| 19 | 1 | 0464 670 006 | Hall sensor with harness | | |
| 20 | 1 | 0464 670 025 | Base plate | ET 180i EU | |
| | 1 | 0464 670 026 | | ET 200iP PRO EU, SEA, MEA | |
| | 1 | 0464 670 027 | | ET 200iP India | |
| 21 | 1 | 0464 674 017 | Grounding strip | | |
| 22 | 1 | 0464 674 008 | PFC electrical inductance | ET 200iP PRO EU, MEA, SEA | |
| 23 | 1 | 0464 673 004 | PFC board | ET 200iP PRO EU, MEA, SEA | |
| 24 | 1 | 0464 670 008 | Movement bracket | | |
| 25 | 1 | | Rectifier plate | | Included in item 102 |
| 26 | 1 | 0464 674 003 | Fan | | |
| 27 | 1 | 0464 670 012 | Air flow deflector | | |

1 SPARE PARTS

| Item | Qty | Ordering no. | Denomination | Model and region | Notes |
|------|-----|--------------|-----------------------------|---------------------------------------|----------------------|
| 30 | 1 | 0464 676 026 | Gas connector | | |
| 31 | 1 | 0464 671 007 | | | |
| 32 | 1 | | Plastic back plate assembly | | Included in item 103 |
| 33 | 1 | 0464 673 007 | EMC filter board | ET 200iP PRO EU, MEA, SEA | |
| | 1 | 0464 673 002 | | ET 180i EU, ET 200iP India | |
| 34 | 1 | 0464 676 031 | Gas connector | | |
| 35 | 1 | 0464 674 018 | Gas solenoid and harness | | |
| 36 | 1 | 0464 676 028 | Gas valve holding plate | | |
| 37 | 1 | 0464 676 027 | Gas connector | | |
| 38 | 1 | | Fixed plate on back panel | | Included in item 103 |
| 39 | 1 | 0464 674 002 | Cable Gland | | |
| 40 | 1 | 0464 674 013 | Mains switch 0-1 | | |
| 41 | 1 | 0464 674 011 | Mains cable | ET 180i EU, SEA, ET 200iP PRO EU, SEA | |
| | 1 | 0464 674 009 | | ET 200iP India, ET 200iP PRO MEA | |

Spare part kits

| Item | Ordering no. | Denomination | Model and region | Notes |
|------|--------------|--------------------------------------|---------------------------|--|
| 101 | 0464 676 881 | Digital display board set | ET 200iP PRO EU, SEA, MEA | Includes item 9, 11, 12, 13, 14, plastic supporter, front control panel label, screw assembly set M3×8 and M3×14 |
| | 0464 676 883 | | ET 180i EU | |
| | 0464 676 882 | | ET 200iP India | |
| 102 | 0464 671 886 | Rectifier board kit | | Includes item 5, 6, 25, Earth flat cable, screw assembly set M4×20, M4×12 and M4×8 |
| 103 | 0464 672 883 | Back plastic panel | ET 200iP PRO EU, SEA, MEA | Includes item 32, 38, hexagon nut and sticker |
| | 0464 672 884 | | ET 180i EU | |
| | 0464 671 885 | | ET 200iP India | |
| 104 | 0464 663 127 | Sleeve socket 8 pin with harness set | Rogue ET Global | Includes item 8 and 18, screw M3×12, hexagon nut M3 and sticker |





A WORLD OF PRODUCTS AND SOLUTIONS.



For contact information visit <http://esab.com>

ESAB AB, Lindholmsallén 9, Box 8004, 402 77 Gothenburg, Sweden, Phone +46 (0) 31 50 90 00

manuals.esab.com

